



## Ball Valves



# Low Pressure Ball Valves

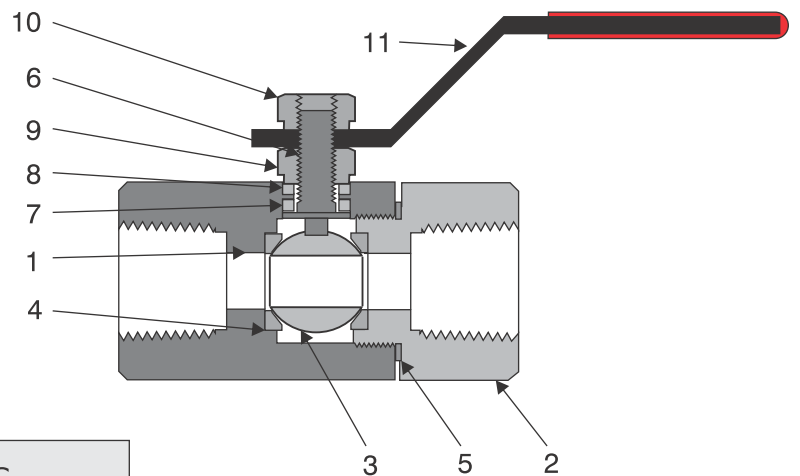
*LBV series*



**H** AVI Low Pressure Ball Valves are used for ON / OFF of Flow just by turning the handle 1/4 turn or 1/2 turn. These Valves are available in Two way based on the application. These Valves are of compact design and can withstand pressures upto 3000 psig.

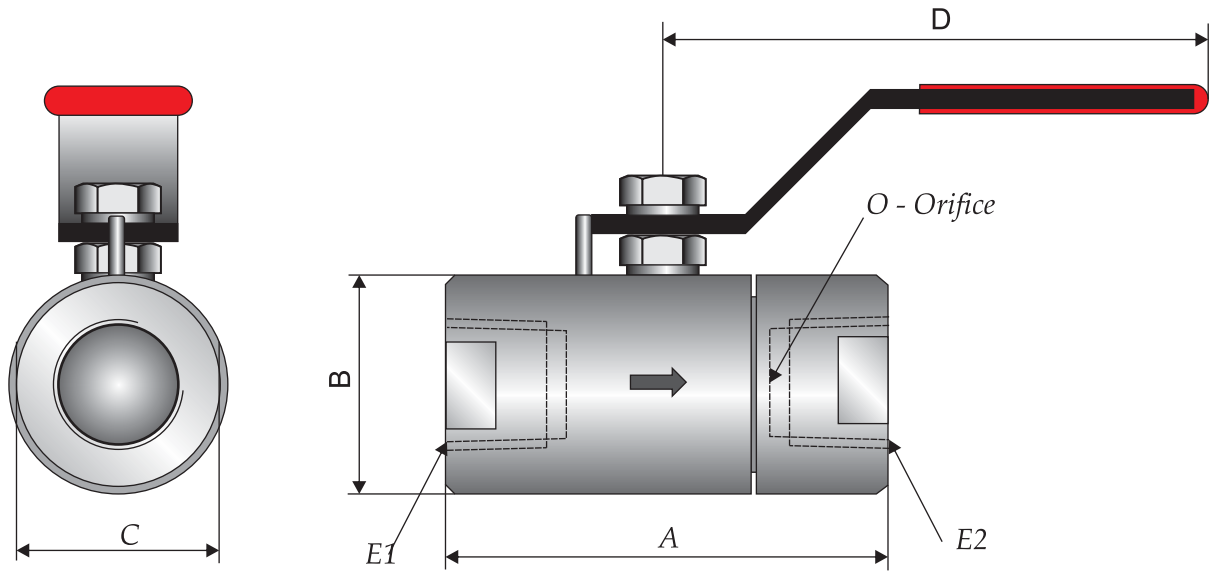
## Features

- High flow capacity in a compact design
- Balls are Blow-out proof
- Working Pressure upto 3000 psig
- 100% factory Tested
- Superfinish Ball for effective sealing
- Hardened Tip for extended Leak Proof Life



Sl. No.	Description	Qty.	M.O.C
1.	Body	1.	A479-316 / A-105
2.	Connector	1.	A479-316 / A-105
3.	Ball	1.	A479-316 / A-105
4.	Ball Seat	2.	PTFE / PEEK
5.	Washer	1.	A479-316 / A-105
6.	Stem	1.	A479-316 / A-105
7.	Packing	1.	PTFE
8.	Packing	1.	PTFE
9.	Stem Nut	1.	A479-316 / A-105
10.	Stem Nut	1.	A479-316 / A-105
11.	Handle	1.	A479-316 / A-105

## Low Pressure Ball Valves

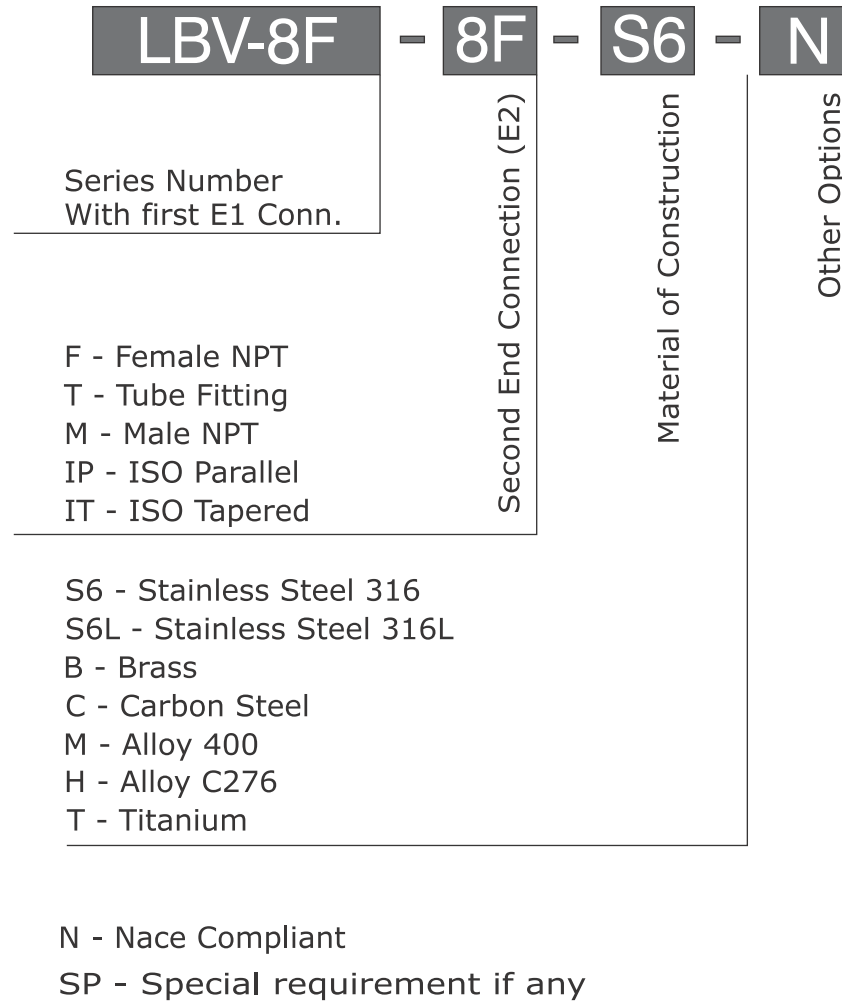


End Conn.	Part No.	End Conn. size		Dimensions are in mm				
		E1	E2	A	B	C	D	O
HAVI Tube Fitting	LBV - 4T	1/4" T	1/4" T	75	30	27	107	6
	LBV - 6T	3/8" T	3/8" T	80	30	27	107	6
	LBV - 8T	1/2" T	1/2" T	95	36	33	107	10.3
Female Pipe Thread	LBV - 4F	1/4" F	1/4" F	52	30	27	107	6
	LBV - 6F	3/8" F	3/8" F	52	30	27	107	6
	LBV - 8F	1/2" F	1/2" F	73	36	33	107	10.3
Male Pipe Thread	LBV - 4M	1/4" M	1/4" M	58	30	25	107	6
	LBV - 6M	3/8" M	3/8" M	58	30	25	107	6
	LBV - 8M	1/2" M	1/2" M	68	35	30	107	10.3

# Low Pressure Ball Valves



## Ordering Information



# Low Pressure Panel Mounted Ball Valves

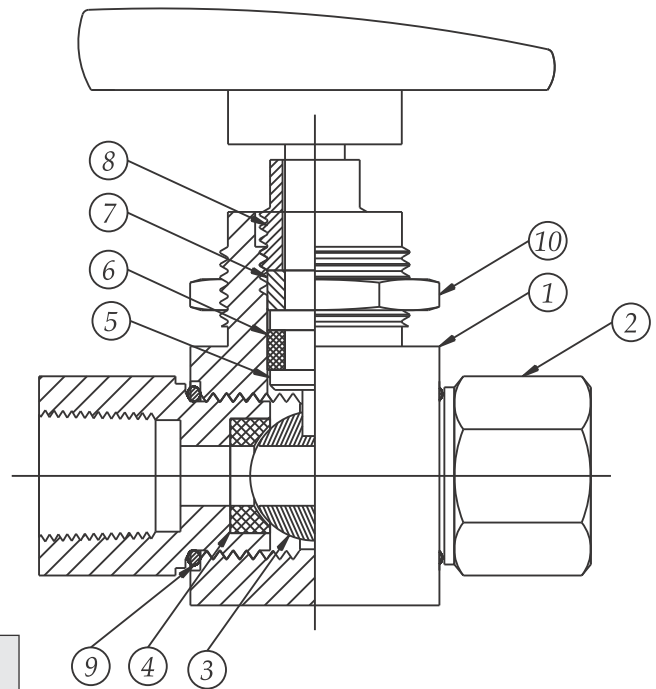
## LPBV series



**H**AVI Low Pressure Panel Mounted Ball Valves are used for ON / OFF of Flow just by turning the handle 1/4 turn or 1/2 turn. These Valves are available in Two way & 3 Way based on the application. These Valves are of compact design and can withstand pressures upto 3000 psig. These valves are best suitable for Control Panel Applications.

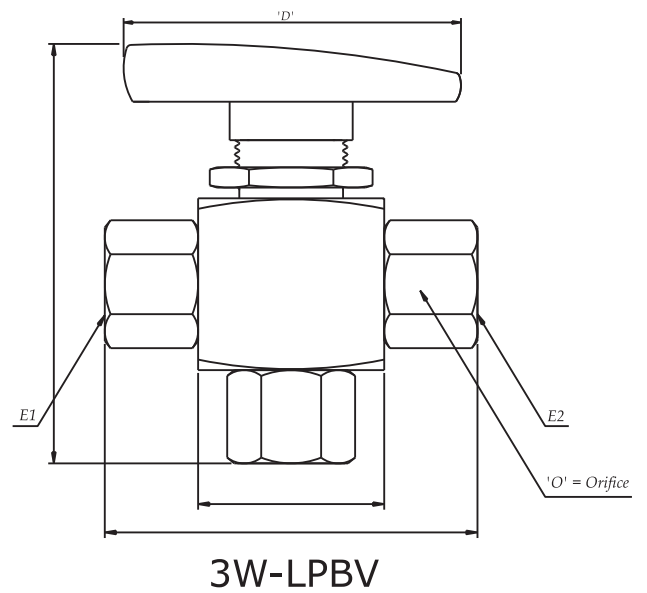
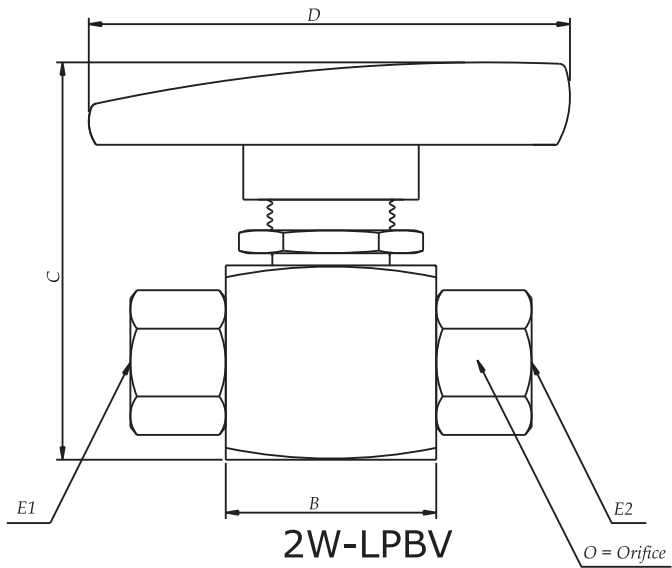
## Features

- High flow capacity in a compact design
- Panel Mounted design
- Balls are Blow-out proof
- Working Pressure upto 3000 psig
- 100% factory Tested
- Superfinish Ball for effective sealing
- Hardened Tip for extended Leak Proof Life



Sl. No.	Description	Qty.	M.O.C
1.	Body	1.	A479-316 / A-105
2.	Connector	1.	A479-316 / A-105
3.	Ball	1.	A479-316 / A-105
4.	Ball Seat	2.	PTFE / PEEK
5.	Spindle	1.	A479-316 / A-105
6.	Oring	1.	FKM / Nitron / Buna
7.	Packing 1	1.	PTFE
8.	Packing 2	1.	PTFE
9.	Pusher	1.	A479-316 / A-105
10.	Check Nut	1.	A479-316 / A-105
11.	Handle	1.	Bakelite

# Low Pressure Panel Mounted Ball Valves



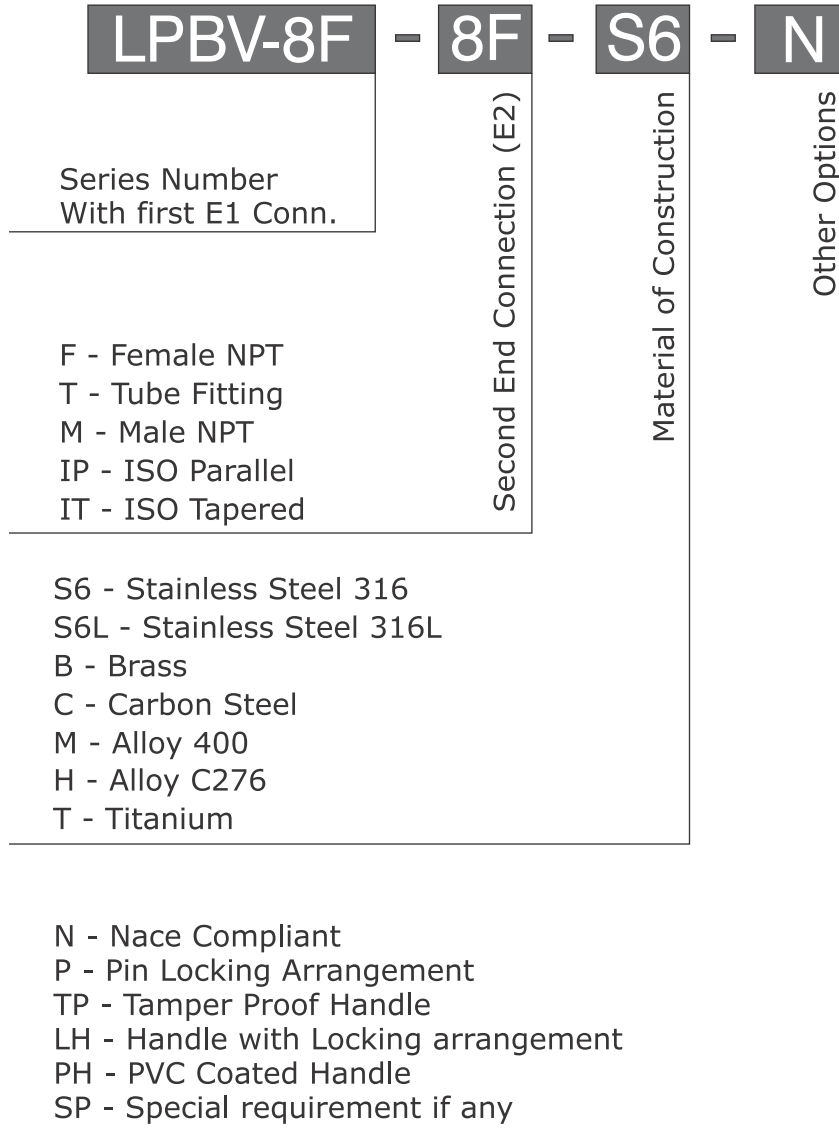
## 2W-LPBV

End Conn.	Part No.	Dimensions are in mm						
		E1	E2	A	B	C	D	O
HAVI Tube Fitting	LPBV-2W-4T	1/4" T	1/4" T	72	25	53	47	6
	LPBV-2W-6T	3/8" T	3/8" T	77	25	53	47	6
	LPBV-2W-8T	1/2" T	1/2" T	91	32	58	60	10.3
Female Pipe Thread	LPBV-2W-4F	1/4" F	1/4" F	56	25	53	47	6
	LPBV-2W-6F	3/8" F	3/8" F	60	25	53	47	6
	LPBV-2W-8F	1/2" F	1/2" F	75	32	58	60	10.3
Male Pipe Thread	LPBV-2W-4M	1/4" M	1/4" M	65	25	53	47	6
	LPBV-2W-6M	3/8" M	3/8" M	67	25	53	47	6
	LPBV-2W-8M	1/2" M	1/2" M	84	32	58	60	10.3

## 3W-LPBV

End Conn.	Part No.	Dimensions are in mm						
		E1	E2	A	B	C	D	O
HAVI Tube Fitting	LPBV-3W-4T	1/4" T	1/4" T	72	25	95	47	6
	LPBV-3W-6T	3/8" T	3/8" T	77	25	103	47	6
	LPBV-3W-8T	1/2" T	1/2" T	91	32	120	60	10.3
Female Pipe Thread	LPBV-3W-4F	1/4" F	1/4" F	56	25	68	47	6
	LPBV-3W-6F	3/8" F	3/8" F	60	25	70	47	6
	LPBV-3W-8F	1/2" F	1/2" F	75	32	79	60	10.3
Male Pipe Thread	LPBV-3W-4M	1/4" M	1/4" M	65	25	88	47	6
	LPBV-3W-6M	3/8" M	3/8" M	67	25	91	47	6
	LPBV-3W-8M	1/2" M	1/2" M	84	32	105	60	10.3

## Ordering Information



# Medium Pressure Panel Mounted Ball Valves

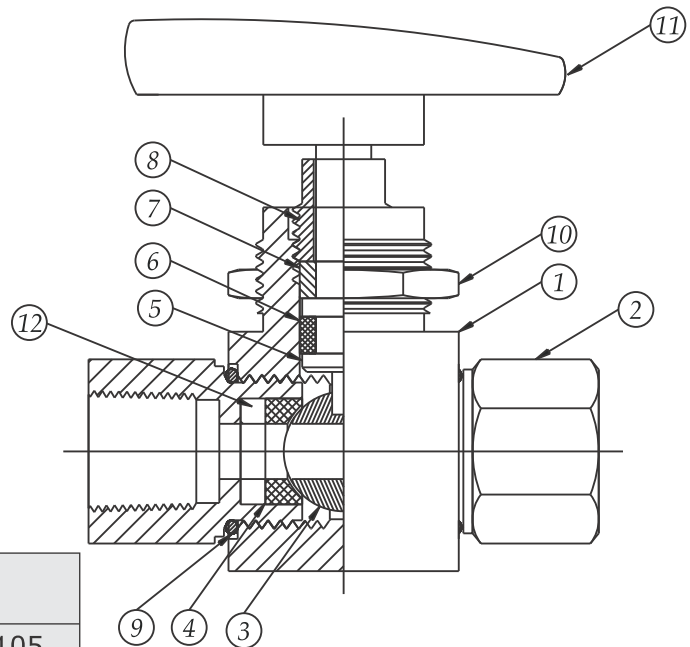
*MBV series*



**H**AVI Medium Pressure Panel Mounted Ball Valves are used for ON / OFF of Flow just by turning the handle 1/4 turn or 1/2 turn. These Valves are available in Two way configuration based on the application. These Valves are of compact design and can withstand pressures upto 6000 psig. These valves are best suitable for Control Panel Applications.

## Features

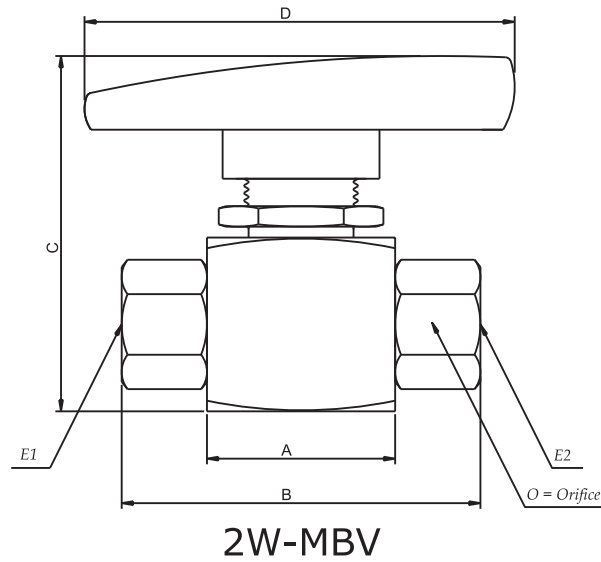
- High flow capacity in a compact design
- Panel Mounted design
- Balls are Blow-out proof
- Working Pressure upto 6000 psig
- 100% factory Tested
- Superfinish Ball for effective sealing



Sl. No.	Description	Qty.	M.O.C
1.	Body	1.	A479-316 / A-105
2.	Connector	1.	A479-316 / A-105
3.	Ball	1.	A479-316 / A-105
4.	Ball Seat	2.	PTFE / PEEK
5.	Washer	1.	A479-316 / A-105
6.	Stem	1.	A479-316 / A-105
7.	Packing	1.	PTFE
8.	Packing	1.	PTFE
9.	Stem Nut	1.	A479-316 / A-105
10.	Stem Nut	1.	A479-316 / A-105
11.	Handle	1.	Bakelite
12.	Packing Arrangement	1.	SS316



## Medium Pressure Panel Mounted Ball Valves

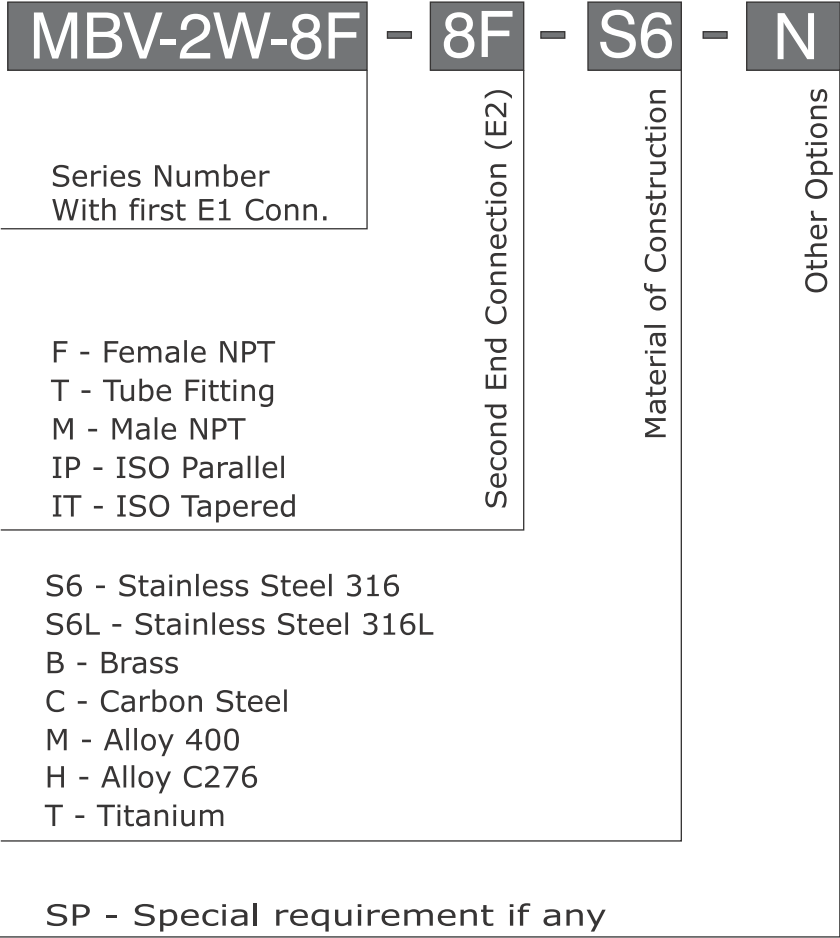


End Conn.	Part No.	End Conn. size		Dimensions are in mm				
		E1	E2	A	B	C	D	O
HAVI Tube Fitting	MBV-2W-4T	1/4" T	1/4" T	72	25	53	47	6
	MBV-2W-6T	3/8" T	3/8" T	77	25	53	47	6
	MBV-2W-8T	1/2" T	1/2" T	91	32	58	60	10.3
Female Pipe Thread	MBV-2W-4F	1/4" F	1/4" F	56	25	53	47	6
	MBV-2W-6F	3/8" F	3/8" F	60	25	53	47	6
	MBV-2W-8F	1/2" F	1/2" F	75	32	58	60	10.3
Male Pipe Thread	MBV-2W-4M	1/4" M	1/4" M	65	25	53	47	6
	MBV-2W-6M	3/8" M	3/8" M	67	25	53	47	6
	MBV-2W-8M	1/2" M	1/2" M	84	32	58	60	10.3

# Medium Pressure Panel Mounted Ball Valves



## Ordering Information



# High Pressure Ball Valves

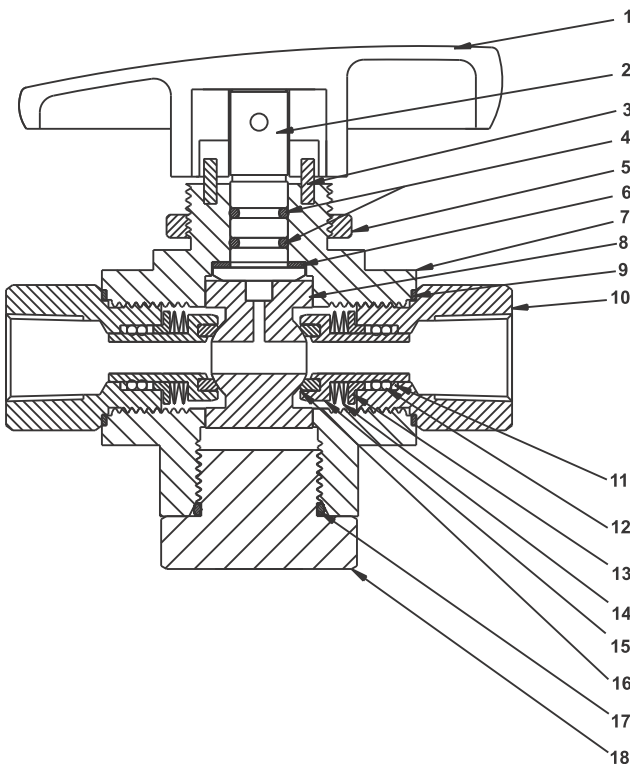
## HBV series



**H**AVI High Pressure Ball Valves are used for ON / OFF of Flow just by turning the handle 1/4 turn or 1/2 turn. These Valves are available in Two, Three & Four way based on the application. These Valves are of compact design and can withstand high pressures upto 10000 psig. These valves are suitable for Panel Mounting Applications.

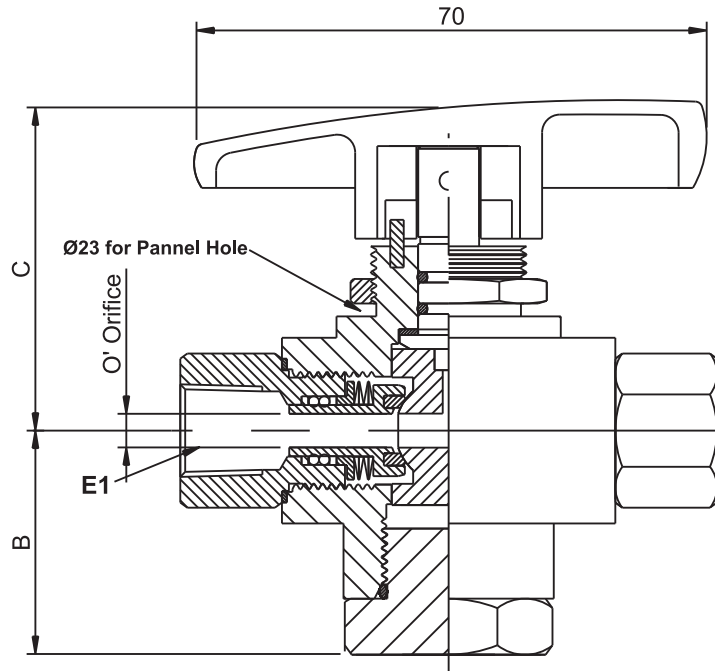
## Features

- Free floating ball design to enhance the Seat Life
- Balls are Blow-out proof
- Working Pressure upto 10000 psig
- Panel Mounted design
- 100% factory Tested
- Superfinish Ball for effective sealing



Sl. No.	Description	Qty.	M.O.C
1.	Handle	1.	Bakelite
2.	Stem	1.	A479-316 / A-105
3.	Stop Pin	2.	A479-316 / A-105
4.	Stem O' Ring	2.	FKM / Nitron / Buna
5.	Panel Nut	1.	A479-316 / A-105
6.	Stem Washer	1.	Teflon
7.	Body	1.	A479-316 / A-105
8.	Ball	1.	A479-316 / A-105
9.	Side Connector Seal	2.	Teflon
10.	Side Connector	2.	A479-316 / A-105
11.	Seat Carrier Backup Ring	4.	Teflon
12.	Seat Carrier O' Ring	4.	FKM / Nitron / Buna
13.	Seat Carrier Guide	2.	A479-316 / A-105
14.	Seat Spring	8.	A479-316 / A-105
15.	Seat Carrier	2.	A479-316 / A-105
16.	Seat	2.	PTFE / PEEK
17.	Bottom Connector O' Ring	1.	FKM / Nitron / Buna
18.	Bottom Connector	1.	A479-316 / A-105

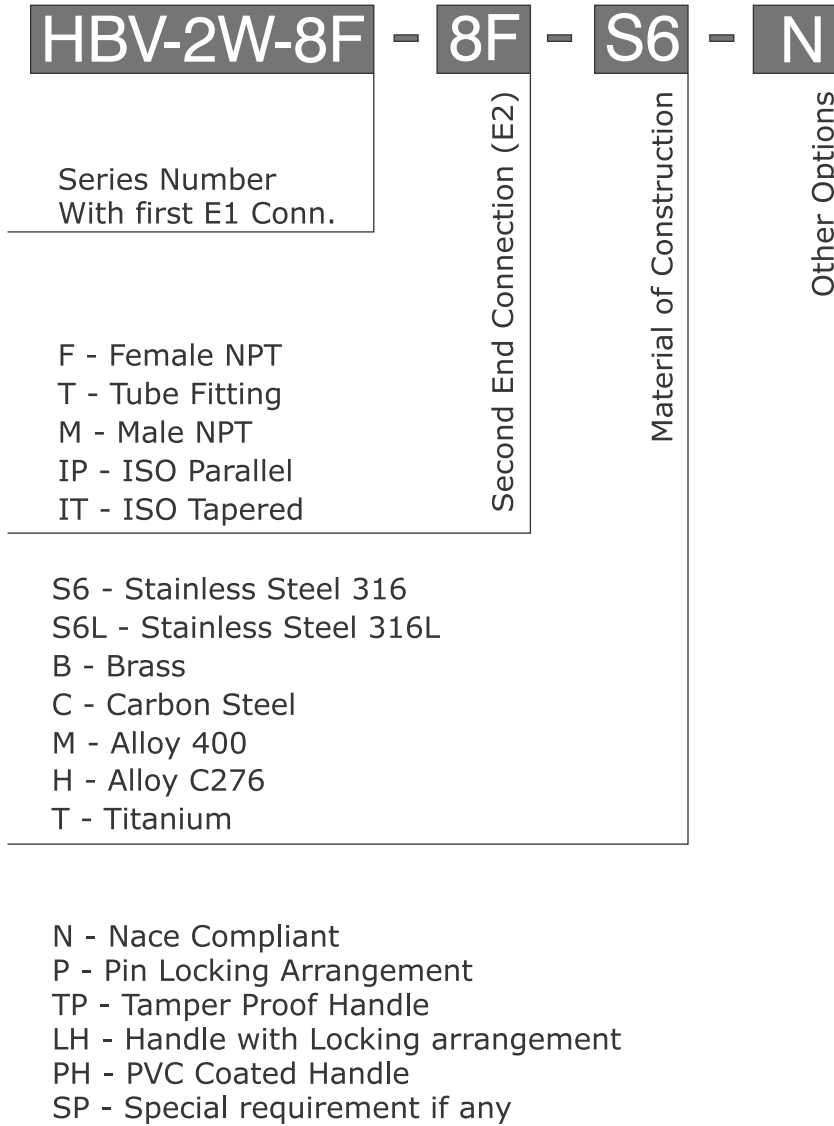
# High Pressure Ball Valves



End Conn.	Part No.	End Conn. size		Dimensions are in mm				
		E1	E2	A	B	C	D	O
HAVI Tube Fitting	HBV-2W-4T	1/4" T	1/4" T	97	32	90	58	4.8
	HBV-2W-6T	3/8" T	3/8" T	101	32	90	58	7.10
	HBV-2W-8T	1/2" T	1/2" T	109	32	90	58	7.10
Female Pipe Thread	HBV-2W-4F	1/4" F	1/4" F	78	32	90	58	4.8
	HBV-2W-6F	3/8" F	3/8" F	86	32	90	58	7.10
	HBV-2W-8F	1/2" F	1/2" F	98	32	90	58	7.10
Male Pipe Thread	HBV-2W-4M	1/4" M	1/4" M	90	32	90	58	4.8
	HBV-2W-6M	3/8" M	3/8" M	90	32	90	58	7.10
	HBV-2W-8M	1/2" M	1/2" M	102	32	90	58	7.10

Valves with different choice of End Connection could be manufactured upon request.  
Dimensions are for reference only and can change for development without notice.

## Ordering Information





**vipal enterprises pvt. ltd.**

**Registered Office:**

302, Chandralok - A,  
97, Nepeansea Road,  
Mumbai 400006.

India

Tel.: +91 22 32656565

Email: sales@havi.in

**Works:**

32, 34, Blue Chip No.5 Industrial Estate,  
Opp Professional Courier,  
Sativali Road, Vasai (East),  
Thane 401208, Maharashtra,  
India

Tel.: +91 22 32656565

Fax: +91 250 3027271

Email: sales@havi.in

**Website: [www.havi.in](http://www.havi.in)**